



## 1/3" High resolution colour cameras

CCBC1325-LP  
CCBC1325-MP

- Easy on-screen adjustment of all operating parameters
- Six back-light compensation zones
- Available in 12VDC / 24VAC and 230VAC versions
- Camera title on video
- Supports both direct drive and video drive auto-iris lenses
- Cable management bracket for lens cable
- Automatic switching between colour and monochrome output

CCBC1325 is a full-featured colour camera using the latest CCD technology and advanced digital signal processing techniques to provide crisp, aperture corrected images for surveillance applications requiring high resolution images.

- **Great low-light performance**

Incorporating the latest colour-cut technology, CCBC1325 can be set to switch automatically from colour to monochrome when light levels fall; extending the camera's useful performance.

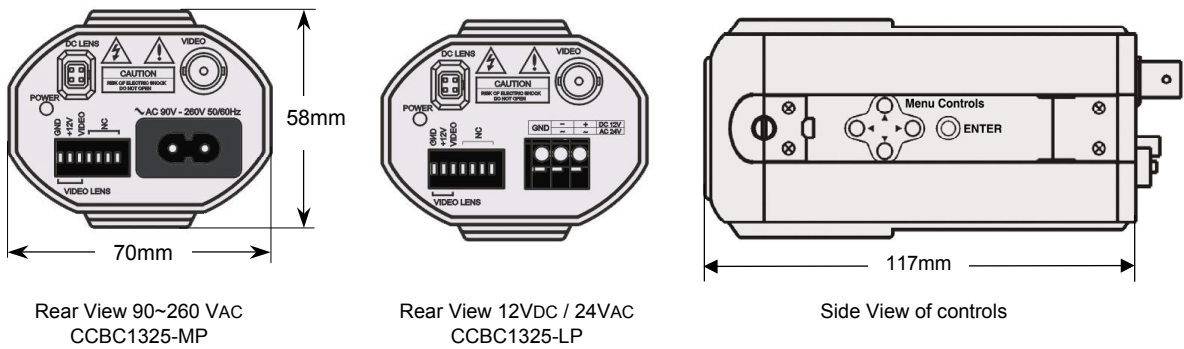
- **Easy setup**

All camera adjustments are performed via an intuitive on-screen menu that is navigated via five touch-keys on the side panel.

- **Back-Light Compensation**

Six selectable back-light compensation zones (BLC) can be used to enhance the viewing of foreground objects when scenes are strongly lit from behind.

## Dimensions and controls



## Technical data

Television standard	625 lines, 50 fields/s, 50 Hz (vertically), 15.625 Hz (horizontally)
Image sensor	1/3 inch interline CCD 752 x 582 active pixels
Horizontal resolution	480 lines
Minimum illumination	0.6 Lux (F1.2, AGC On) at 50 IRE
Camera title	16 character title (positioned anywhere on screen)
Electronic shutter	Manual shutter: 1/50, 1/100, 1/250, 1/400, 1/1000, 1/2000, 1/5000, 1/10000 sec Automatic shutter: AES 1/50 to 1/100,000 sec
Back-light compensation	6 zones: Centre 1, Centre 2, Doorway 1, Doorway 2, Top Half, Bot Half
Video output	1Vpp composite (75 Ohm), BNC
Automatic gain control (AGC)	5 maximum levels can be selected: OFF / 12 dB / 18 dB / 24 dB / 30 dB / 38 dB (Sens up)
Signal/noise ratio	> 50 dB
Gamma	Selectable: 0.45, 0.8, 1 (typical: 0.45)
Lens control	Direct drive or Video drive
Synchronisation	Internal: with crystal External: mains synchronisation
Recommended power source	CCBC1325-LP: 12VDC or 24VAC CCBC1325-MP: 90~260VAC
Power consumption	3.8 W
Temperature range (operating)	-10 to +50°C
Relative humidity	30 to 95%, non-condensing
Dimensions (W x H x D)	70 x 58 x 117 mm
Weight	CCBC1325-LP: 0.6 kg CCBC1325-MP: 0.7 kg

## Details for ordering

Type	Part no.	Designation	Weight
CCBC1325-LP	2GF1183-8BA	1/3" DSP High Resolution PAL Camera 480 TVL 12VDC or 24VAC, 50 Hz	0.6 kg
CCBC1325-MP	2GF1183-8DA	1/3" DSP High Resolution PAL Camera 480 TVL 90~260VAC, 50 Hz	0.7 kg