



1/3" varifocal lenses with high quality glass optics

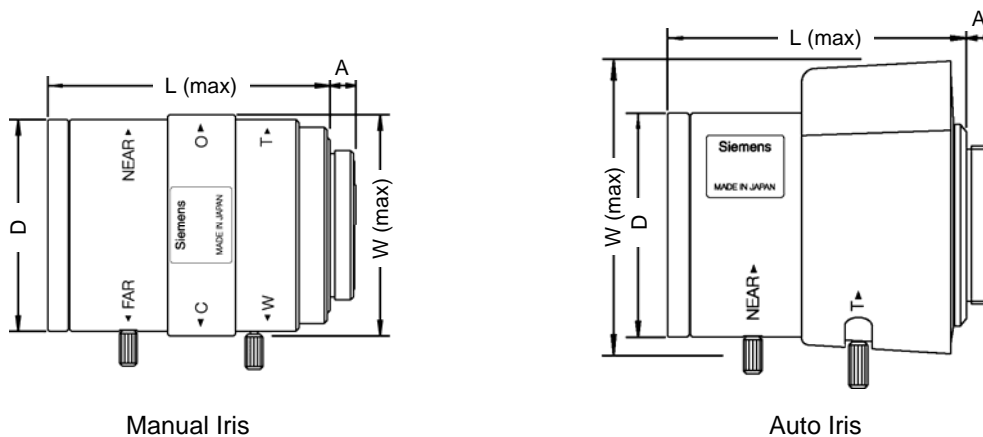
CLVM
CLVD

- Auto-iris lenses supplied with pre-fitted plug
- High reliability galvanometric auto-iris mechanisms
- F360 neutral density filter on auto-iris models make them ideal for indoor & outdoor applications
- Screw-lock focal length & focus adjustment
- Quality metal body & mounting thread

Provide the right view in a variety of security surveillance situations with these professional, metal bodied varifocal lenses that are easy to adjust. Focal-length and focus adjustments have screw-locks to ensure views remain as initially set.

- **CLVM series - manual iris lenses**
Cost effective CS-mount lens solutions for use in situations with stable illumination levels. Also ideal for use with modern 1/3" CCD cameras featuring automatic electronic shuttering (AES).
- **CLVD series - auto-iris lenses**
CS-mount direct drive (DC-type) auto-iris lenses suitable for use with modern cameras featuring internal auto-iris drive circuits. Particularly suitable for use with cameras surveying outdoor scenes or in situations where widely varying illumination levels are likely to occur.
All auto-iris lenses are supplied with the iris plug pre-fitted for easy installation.
- **Aspherical Lenses**
The 2.5 ~ 10mm and the 5 ~ 50 mm models in both manual and auto-iris versions feature aspherical lenses; offering a compact size and improved low-light performance.

Dimensions



Technical data

	CLVM1314/ 3.5-8	CLVD1314/ 3.5-8	CLVM1315/ 5.0-50	CLVD1315/ 5.0-50	CLVM1318/ 7-70	CLVD1318/ 7-70	CLVM1314/ 2.5-10	CLVD1314/ 2.5-10
Focal length	3.5-8mm	3.5-8mm	5.0-50mm	5.0-50mm	7-70mm	7-70mm	2.5-10mm	2.5-10mm
			aspherical	aspherical			aspherical	aspherical
Focus type	adjustable	adjustable	adjustable	adjustable	adjustable	adjustable	adjustable	adjustable
Maximum relative aperture	F1.4	F1.4-360	F1,4	F1,4-182	F1.8	F1.8-360	F1.4	F1.4-360
Iris	manual	DD-AI*	manual	DD-AI*	manual	DD-AI*	manual	DD-AI*
Mount	CS	CS	CS	CS	CS	CS	CS	CS
CCD size (recommended for)	1/3"	1/3"	1/3"	1/3"	1/3"	1/3"	1/3"	1/3"
Horizontal angle of view	35 - 73.8°	35 - 73.8°	5,5 – 53,6°	5,5 – 53,6°	4.2 - 40.1°	4.2 - 40.1°	28.3°-105.8°	28.3°-105.8°
Minimum object distance	0.3m	0.3m	0,3m	0,3m	0.3-1.0m	0.3-1.0m	0.3m	0.3m
Dimensions:								
• D (mm)	36.0	36.0	44,0	41,0	48.0	48.0	42.0	42.0
• W (max.) (mm)	—	47.1	—	53,9	55.0	55.0	48.0	48.0
• L (max.) (mm)	48.1	48.1	59,2	59,2	82.2	82.2	60	60
• A (mm)	4.4	4.4	4,0	4,0	4.0	4.0	4.5	4.5
Filter thread	—	—	—	—	M46.0 x 0.75	M46.0 x 0.75	—	—
Operating temperature range	-10 ~ 50°C	-10 ~ 50°C	-10 ~ 60°C	-10 ~ 60°C	-10 ~ 50°C	-10 ~ 50°C	-10 ~ 50°C	-10 ~ 50°C

*direct-drive auto-iris

Details for ordering

Type	Part no.	Designation	Weight
CLVM1314/3.5-8	2GF1664-8AG	Lens Varifocal M-Iris 3.5-8 F1.4	89.8 g
CLVD1314/3.5-8	2GF1667-8AJ	Lens Varifocal DD-AI 3.5-8 F1.4	76.6 g
CLVM1315/5-50	2GF1664-8AM	Lens Varifocal M-Iris 5-50 F1.4	85,0 g
CLVD1315/5-50	2GF1667-8AT	Lens Varifocal DD-AI 5-50 F1.4	97,0 g
CLVM1318/7-70	2GF1664-8AJ	Lens Varifocal M-Iris 7-70 F1.8	199.5 g
CLVD1318/7-70	2GF1667-8AL	Lens Varifocal DD-AI 7-70 F1.8	201.5 g
CLVM1314/2,5-10	2GF1664-8AK	Lens Varifocal M-Iris 2.5-10 F1.4	80.8 g
CLVD1314/2,5-10	2GF1667-8AM	Lens Varifocal DD-AI 2.5-10 F1.4	80.5 g