



CLVD1316/3-8
CLVM1316/3-8
CLVD1316/5-50
CLVM1316/5-50

1/3" Megapixel Varifocal Lenses

- Megapixel lenses
- High reliability galvanometric auto-iris mechanisms
- F360 neutral density filter on auto-iris models make them ideal for indoor and outdoor applications
- Screw-lock focal length and focus adjustment
- CS-mount
- Manual and DC iris models

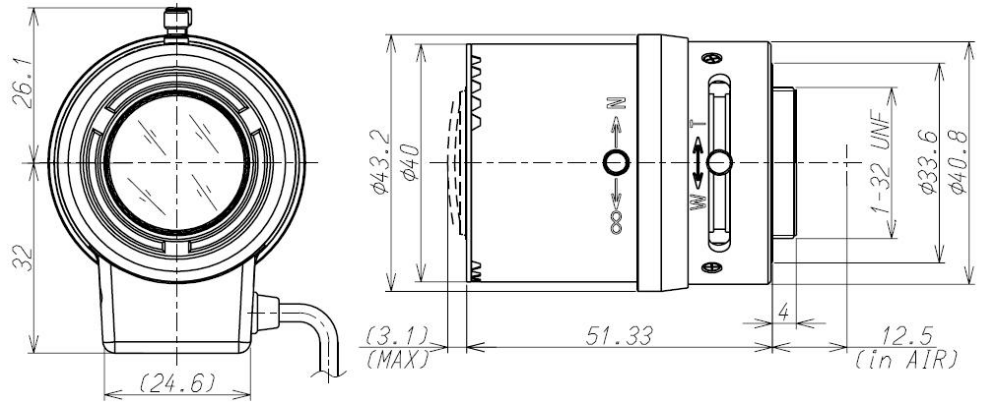
The new Megapixel lenses were especially designed for Siemens megapixel cameras. The lenses feature an exceptionally high resolution, thus providing excellent detail definition which is a prerequisite for use with megapixel cameras. The lenses offer excellent contrast from the centre of the image to the edges. Hybrid aspherical lens elements ensure sharp, noise-free images.

The lenses are available in two focal lengths, 3 – 8 mm and 5 – 50 mm. Both models are available either as direct-drive or manual iris lenses with 4-pin iris connector. The high optical and mechanical quality makes these lenses an excellent choice for security applications.

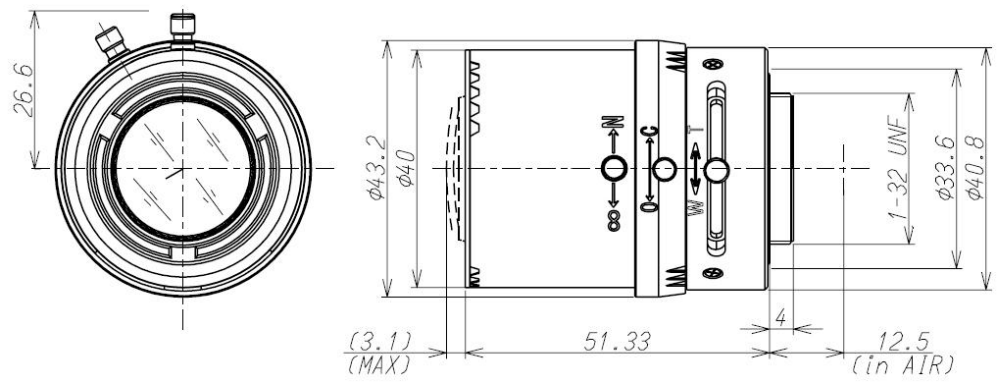
The high optical quality does not limit the megapixel lenses to an application with megapixel cameras. They will also deliver crisp, sharp images in applications with classic analogue or other IP cameras.

Mechanical dimensions

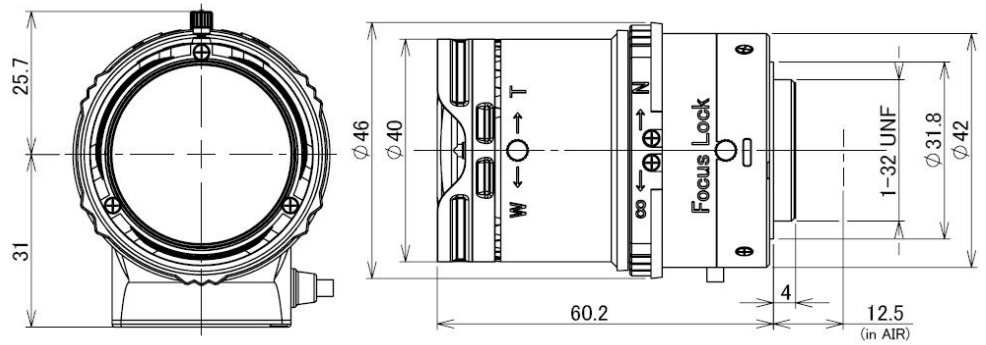
CLVD1316/3-8



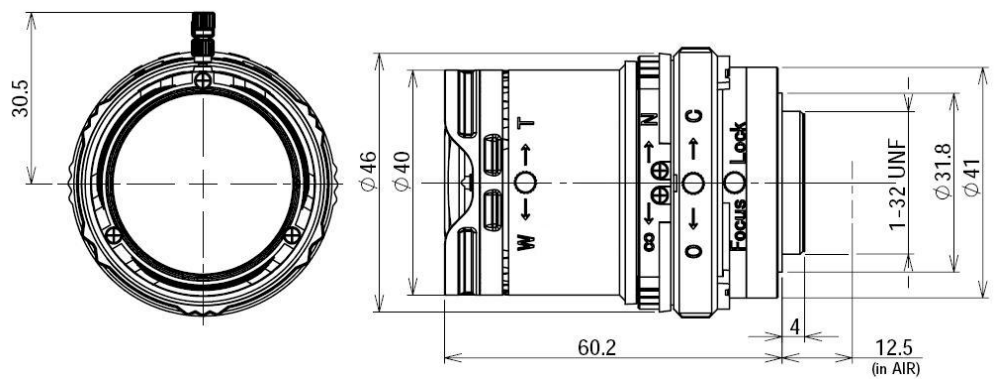
CLVM1316/3-8



CLVD1316/5-50



CLVM1316/5-50



Technical data

	CLVD1316/3-8	CLVM1316/3-8	CLVD1316/5-50	CLVM1316/5-50
Imager size	1/3"	1/3"	1/3"	1/3"
Focal length	3 – 8 mm	3 – 8 mm	5 – 50 mm	5 – 50 mm
Aperture range				
Manual iris	–	F1.0 – Close	–	F1.4 – Close
Auto iris	F1.0 – 360	–	F1.4 – 360	–
Angle of view				
Horizontal	35.4 – 92.5°	35.4 – 92.5°	5.5 – 53.8°	5.5 – 53.8°
Vertical	26.5 – 68.2°	26.5 – 68.2°	4.2 – 40.3°	4.2 – 40.3°
Mount	CS	CS	CS	CS
Operating. voltage				
Iris working area	0.7 – 4 V	–	0.7 – 4 V	–

Details for ordering

Type	Part no.	Designation	Weight
CLVD1316/3-8	S54561-B300-A1	1/3" Megapixel varifocal lens, direct-drive iris, F1.0, 3 – 8 mm	0.08 kg
CLVM1316/3-8	S54561-B301-A1	1/3" Megapixel varifocal lens, manual iris, F1.0, 3 – 8 mm	0.07 kg
CLVD1316/5-50	S54561-B302-A1	1/3" Megapixel varifocal lens, direct-drive iris, F1.4, 5 – 50 mm	0.08 kg
CLVM1316/5-50	S54561-B303-A1	1/3" Megapixel varifocal lens, manual iris, F1.4, 5 – 50 mm	0.06 kg

Issued by
Siemens Building Technologies
Fire & Security Products GmbH & Co. oHG
D-76181 Karlsruhe

www.buildingtechnologies.siemens.com

© 2009 Copyright by
Siemens Building Technologies
Data and design subject to change without notice.
Supply subject to availability.

Printed in the Federal Republic of Germany
on environment-friendly chlorine-free paper.

Document no. **A6V10229694**
Edition 03.02.2009