



Vectis iX06/iX16/iX32/iX48 IP Video Network Recorder

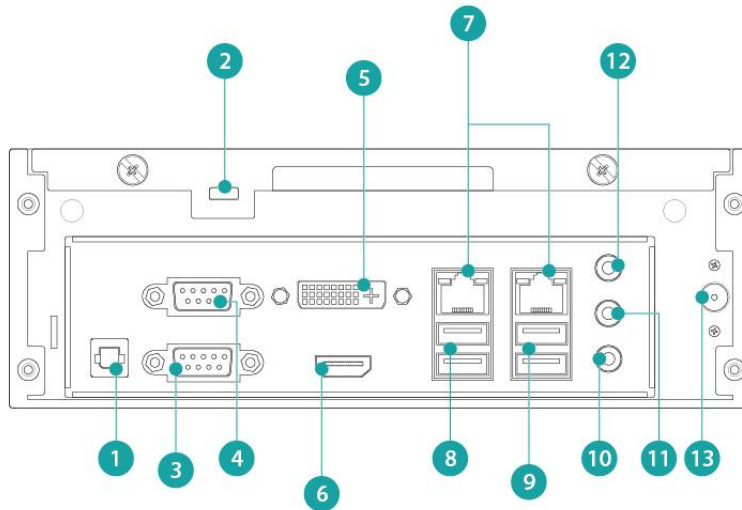


Vectis iX06-1TB
Vectis iX16-4TB
Vectis iX32-8TB
Vectis iX48-18TB

The new Vectis iX NVR Network-Video Recorder, delivers a unique combination of industry leading performance and unrivalled compatibility. Allowing connectivity to more than 1000 camera models using combined ONVIF and SDK compatibility.

Available in hardware options ranging from 6-48 channels, its very powerful speed and performance enables you to capture greater detail than ever before. Recording full-HD images from up to 48 cameras simultaneously at 25 frames per second and supporting resolutions of up to 20 megapixels.

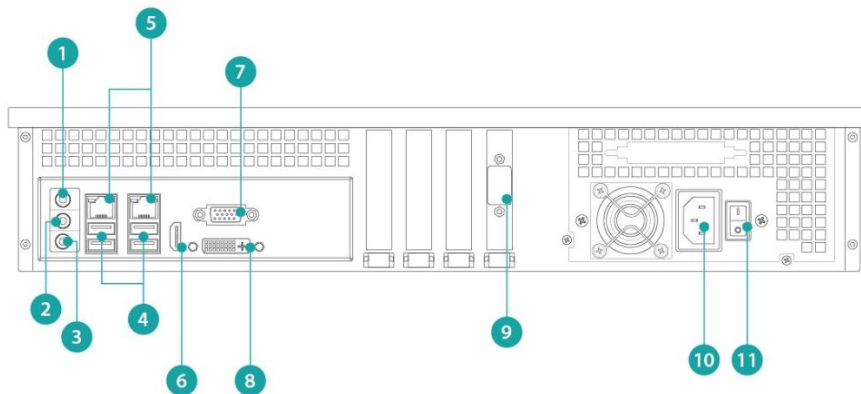
- Network-based video monitoring and recording for 6/16/32/48 IP cameras
- Ultra High Network performance, IP data throughput of up to 288Mbit/s
- Supports resolution of up to 20 megapixels
- Conforms to ONVIF profile S
- Powerful on-board analytics: motion detection and video analytics including people counting
- Time sector engine for immediate recording and playback
- Common GUI throughout the entire Vectis iX range
- Dual monitor, full-HD real-time display (4 monitors using Vectis iX CMS)
- Optional Text input interface, e.g. to connect ATM (Automatic Teller Machine) or POS (Point of Sales) devices
- Free remote client software Vectis iX96 RAS included
- Robust. Designed for 24/7 permanent operation



Legend

- 1 S/PDIF Out
- 2 Kensington Lock
- 3 COM1 Port (RS232/RS422/RS485)
- 4 COM2 Port (RS232)
- 5 Monitor DVI Port
- 6 Monitor HDMI Port
- 7 LAN Port
- 8 USB3.0 Port
- 9 USB2.0 Port
- 10 Microphone In
- 11 Audio / Line-Out
- 12 Audio / Line-In
- 13 DC Power In

Vectis iX06 rear view



Legend

- 1 Audio Line-In
- 2 Audio Speaker Out
- 3 Microphone In
- 4 USB2.0 Port
- 5 LAN Port
- 6 Monitor HDMI Port
- 7 Monitor VGA Port
- 8 Monitor DVI Port
- 9 COM1 Port (RS232C)
- 10 Mains Power In
- 11 Power Switch

Vectis iX16 / 32 / 48 rear view

Functionalities

■ Support of megapixel recording

Vectis iX NVRs support IP camera resolutions of up to 20 megapixels. Megapixel recordings contain more detailed information – useful when using the integrated digital zoom feature either live or in playback.

■ Network-based video monitoring and recording for 6/16/32/48 IP cameras

The Vectis iX NVR range supports network-based video monitoring and recording of up to 6/16/32/48 IP cameras. Vectis iX NVR offers recording speeds from 480 -1200fps and internal storage from 1-24TB dependent on the model.

■ Free remote client software

The free Vectis iX96 RAS comes with basic viewing functionalities and can be used in conjunction with the Vectis iX range to analyse and view video recordings across a LAN/WAN of up to 96 channels and 3 NVRs.

■ Video Analytics

Vectis iX range includes analytic algorithms such as people counting, e-fence, object appear/disappear, motion detection and region of interest. The event based recording reduces the required hard drive usage so only the relevant data is stored.

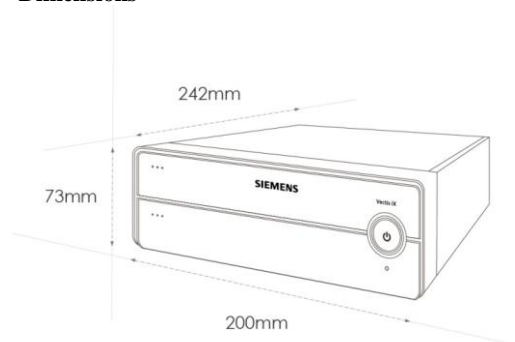
■ Multiple Alarm Notifications

Alarm notification by Pop-Up, E-mail and digital I/O triggered by video loss, sensor, HDD crashed, system crashed, abnormal transaction, e-fence, video motion detection. External digital I/O devices supported via ModBus protocol.

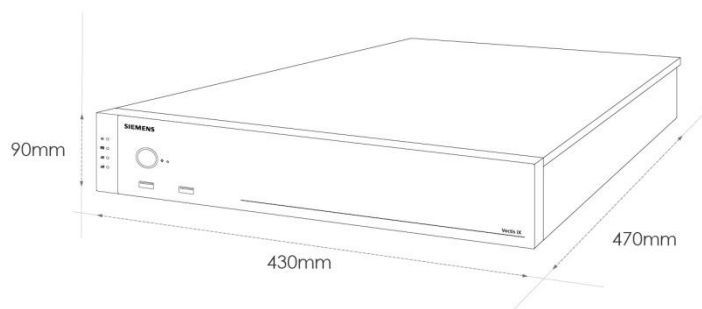
■ Full HD real-time display on dual monitors

Advanced software features offer powerful performance, video recording and display, including 16 Full-HD images on dual monitors.

■ Dimensions



Vectis iX 06



Vectis iX 16 / 32 / 48

■ Technical data

Type	Vectis iX06	Vectis iX16/32/48
CPU	Intel® Celeron® G1610 Processor	Intel® Core™ i5-2400 Processor
Memory	DDR3-1333 2G	DDR3-1333 4G
Operation System (OS)	Windows 7 Embedded (protected by File based write filter FBWF)	
Network Protocols	TCP/IP ,UDP, HTTP, HTTPS, SMTP,SNMPv3, DNS, DHCP, NTP, ARP, ICMP, FTPc, FTPs, DDNS, RTP (RTCP, RTSP), IGMPv3, UPnP, CIFS, NFS, IEC802.1x	
Watchdog	Supports Hardware Watchdog, Software Watchdog	
System Update	Supports NVR Software Update	
IP Camera License	6ch	16ch, 32ch, 48ch
Display Performance	D1 @480fps / 1.3MP@240fps / 2MP@125fps	D1 @1200fps / 1.3MP@780fps / 2MP@425fps
Recording Throughput	Max.72Mbit/s (i.e. 3MP/25ips per channel)	Max.288Mbit/s (i.e. 3MP/25ips per channel)
Recording Resolution	D1~20 Megapixel	
Video Codec	H.264 High Profile, MPEG4, M-JPEG, MxPEG	
Audio Codec	Two-Way Audio, G. 711, G.726, AAC	
Streaming Type	Unicasting, Multicasting	
Onvif Supports	Onvif 2.2, Profile-S	
Max. Internal Recording Capacity	2 TB (2x HDDs)	24 TB (6x HDDs), RAID 0, 1, 5, 6 (option)
Hardware		
Lan Port	Gigabit Lan (RJ45) x2	
Ethernet	10/100/1000M Auto Negotiation	
Local Display	HDMIx1, DVIx1	VGAx1, HDMIx1, DVIx1
Local Display Resolution	1920x1200	
Hard Disk Drive	SATA supported	
Hard Disk Trays (Bays)	Max. 2 HDDs, total 2TB	Max. 6 HDDs, total 24TB
Max. Storage per HDD	1 TB (2.5")	4 TB (3.5")
Included storage capacity	iX06: 1*1TB	iX16: 4 TB, (2* 2 TB) iX32: 8 TB, (4* 2 TB) iX48: 18 TB (6*3 TB)
RAID Level	Not supported	RAID 0, 1, 5, 6 (with optional Raid controller board)
External Storage support	iSCSi	iSCSi
USB Port	USB 2.0 Front x2, Rear x2 ; USB 3.0 Rear x2	USB 2.0 Front x2, Rear x4
Communication Port	RS232 x1 ; RS232/422/485 x1 - Rear I/O	RS232 (Header) x1 - On-board I/O
Audio Port	Front: MIC-in x1, Headphone x1 ; Rear: MIC-in x1, Line-out x1, Line-in x1	Rear : MIC-in x1, Line-out x1, Line-in x1

	Vectis iX06	Vectis iX16/32/48
Global-Features		
Configurations	Configurations of NVR, Camera, Event, Alarm, Device, Digital I/O, etc.	
User Authority	Export Video Clip, PTZ Control, Live View, Playback, Alarm Search, Configuration, Remote System Control, etc.	
Recording Mode	Full Time Recording, Recording by Schedule, Event, Alarm, Motion Detection	
E-map	Mapping Cameras and DI/DO Points, Map Hyperlink	
PTZ Control	PTZ Control, Preset Point, Patrol, Digital PTZ	
Display Pattern	1, 2, 3, 4, 5, 6, 8, 9, 12, 13, 16, 18, 24, 25, 36, 48, 64	
Viewing Operation	ROI (Region of Interest), Tour	
Video Search	Time, Event, Alarm	
Synchronous Playback	up to 6ch	up to 16ch
Video Playback	Time Slider Control Panel (Forward, Backward, Speed Control, Sync. Playback)	
Video Export	Video Export via USB (Supports .avi and .ava Format), Digital Watermark	
Intelligent Search (Replay)	Missing Object (Object take away), Foreign Object (Object left behind)	
Intelligent Video Analytics (Realtime)	E-fence, Video Motion Detection on all channels People counting 1 dedicated channel only	
Event Log	Event logs of System, Cameras, User, etc	
Alarm Event / Search	Video Loss, Sensor Triggered, HDD Crashed, System Crashed, Abnormal Transaction, E-fence, Video Motion Detection	
Alarm Notification	Pop-up, E-mail, DI/DO, Trigger Recording	
Alarm In / Alarm Out	Support of optional external DI/DO modules via Modbus Protocol (Master, Slave)	
APP Client	iOS (iPhone, iPad), Android	
Client Software	Vectis iX CMS, Vectis iX96 RAS	
Supports Client Numbers	5 CMS links per NVR device. Max. Live Session : 40 Max. playback Session : 1 Max. Mobile Client Streaming (fps): 30	5 CMS links per NVR device. Max. Live Session: 112 Max. playback Session: 16 Max. Mobile Client Streaming (fps): 140
POS License	8 x POS license per NVR included (requires optional POS-Box)	
POS Integration	Integration via POS Editor using optional external POS-Box, POS box communicate with NVR via network and with POS machine with DB-9 connector, Y-cable and RS232 protocol.	
Live View	Live Viewing with Transaction data	
Search / Playback	Time, Item (Keyword), Price with Transaction data and Video	
Abnormal Transaction	Alarm Rule (Item, Value), Alarm Popup, Alarm Search	
Environmental / Electronic / Mechanic		
Power Voltage	100~240 Vac, 50-60 Hz	
Power Consumption	30W	127W
Operation Temperature	0°C ~ 35°C (32°F ~ 95°F)	0°C ~ 40°C (32°F ~ 104°F)
Dimensions	200(W)x73(H)x242(D)mm	430(W)x90(H)x470(D)mm
Net Weight	2.100 kg	10.700 kg (iX16) ; 12.100 kg (iX32) 13.500 kg (iX48)
Chassis color	Silver	Silver
Minimum system requirements		
Vectis iX96 RAS (free software for NVR/NVS)	CPU: Pentium Intel Dual Core 2.4GHz or above RAM: 2048 MB at least Operation System: Windows XP SP2 / SP3, Windows 7 (32 & 64 bit), Windows 8 Display: Graphic-card nVidia chipset, DirectX3D support, Minimum resolution 1280X1024, recommended resolution 1680X1050.) Free HDD space: 1GB free HDD space or more recommended	

■ **Details for ordering**

Type	Part number	Designation	Weight*
Vectis iX06-1TB NVR	S54569-C104-A100	Vectis iX06-1TB NVR,6ch,H264,Max72Mb/s	3.620 kg
Vectis iX16-4TB NVR	S54569-C105-A100	Vectis iX16-4TB NVR,16ch,H264,Max288Mb/s	15.790 kg
Vectis iX32-8TB NVR	S54569-C106-A100	Vectis iX32-8TB NVR,32ch,H264,Max288Mb/s	17.040 kg
Vectis iX48-18TB NVR	S54569-C107-A100	Vectis iX64-18TB NVR,48ch,H264,Max288Mb/s	18.200 kg

* Device incl. packing material, accessories that are included in the delivery, and documentation

Central Management Software Vectis iX CMS

For remote control and display of Vectis iX NVR and Vectis iX NVS, the Vectis iX range includes a performant Central Management software CMS that supports single- and multisite applications. For further details please refer to the separate CMS datasheet.

■ **Details for ordering**

Type	Part number	Designation	Weight*
Vectis iX32 CMS	S54569-P106-A100	Vectis iX32 CMS, Mgmt SW 32ch	Approx. 750g
Vectis iX128 CMS	S54569-P107-A100	Vectis iX128 CMS, Mgmt SW 128ch	Approx. 750g
Vectis iXUN CMS	S54569-P108-A100	Vectis iXUN CMS, Mgmt SW 300ch **	Approx. 750g

* Device incl. packing material, accessories that are included in the delivery, and documentation

** Vectis iXUN CMS basically supports unlimited IP channels, but any usage above 300 channels requires mandatory involvement of Siemens or qualified partner Technical support to approve overall system architecture.

Further products and accessories can be found in the Internet: www.siemens.com/securityproducts

The information in this document contains general descriptions of technical options available, which do not always have to be present in individual cases. The required features should therefore be specified in each individual case at the time of closing the contract.

© Siemens AB • Document no. C-300189 • Edition: 03.2014

Siemens AB
Security Products
International Headquarters
Englundavägen 7
SE-171 41 Solna
Tel. +46 8 629 0300
www.siemens.com/securityproducts