

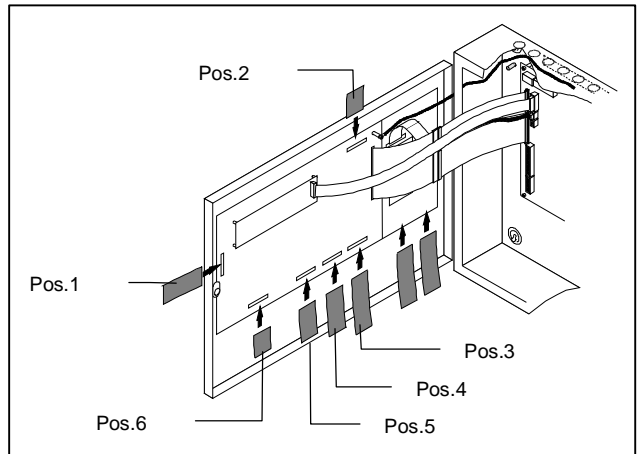
Specimen (Variant 'International' English)

first line second line first line second line first line second line first line second line System on Fault Isolation Detector test mode FC330A Pos 3	Remote alarm fault / off Alarm horn fault / off System fault Pos 4	Alarm delay off Premises manned (spare) 1) Pos 5	Remote alarm active Pos 6
--	---	--	---

Acknowledge Silence / resound horn Reset	Pos 1
--	-------

1) see manual document-no. e1583

Pos 2 SIEMENS ALARM



Note: Do not change font or font size.

Work sheet 1

Operating: (for Windows97)

key [Tab] = move to next field

key [Shift]+[Tab] = move to previous field

key [Shift]+[CR] = line feed (small line space)

key [CR] = line feed (normal line space)

Napájení

Porucha

Odpojení

Test

FC330A

Pos 3

ZDP porucha/vyp.

Sirény porucha/vyp.

Systémová porucha

Pos 4

Zpoždění poplachu vyp.

Režim DEN

Pos 5

ZDP aktivováno

Pos 6

Potvrzení
zapnutí / vypnutí sirén

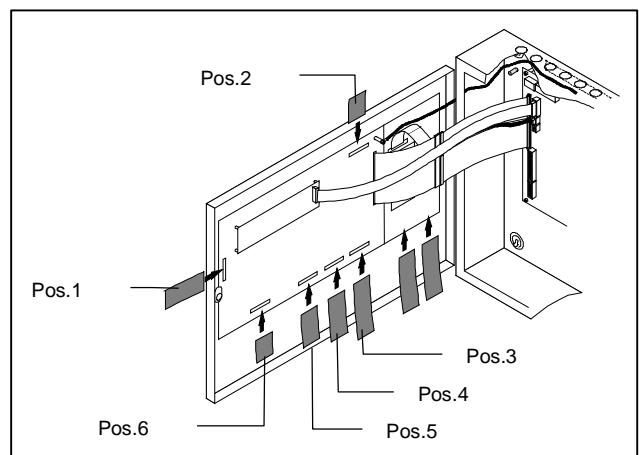
Pos 1

Zpětné nastavení

Pos 2

SIEMENS

POŽÁR

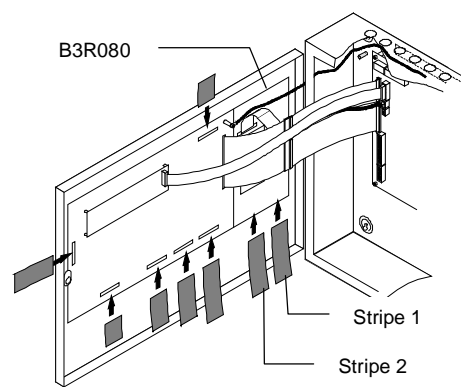


Work sheet 2

for B3R080

for B3R080

Operating: (for Windows97)
key [Tab] = move to next field
key [Tab]+[shift] = move to previous field
key [shift]+[CR] = line feed (small line space)
key [CR] = line feed (normal line space)

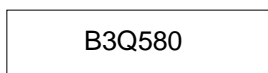
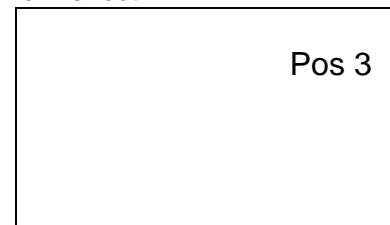
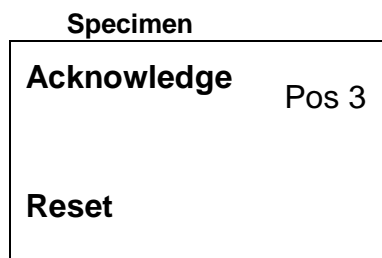
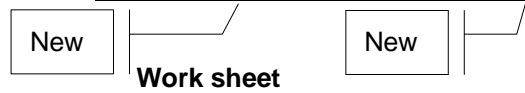


'Floorpanel B3Q580/B3Q59x'

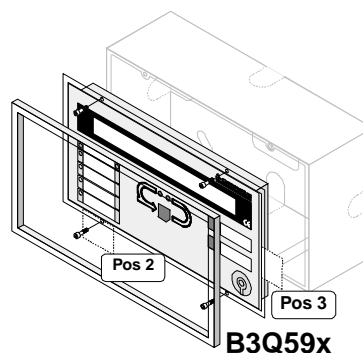
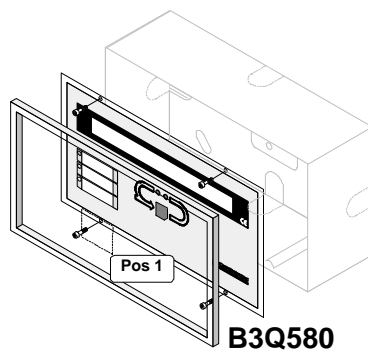
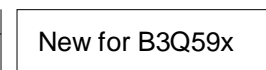
Specimen	
	Alarm
Alarm	Remote alarm active
Fault	Warning 1)
System ON	Fault 1)
	Spare 1)
B3Q580	B3Q59x

1) if programmed

Work sheet	
B3Q580 Pos 1	B3Q59x Pos 2



Operating: (for Windows97)
 key [Tab] = move to next field
 key [Shift]+[Tab]= move to previous field
 key [Shift]+[CR] = line feed (small line space)
 key [CR] = not allowed



Specimen 'B3R051'

B3R 051		B3R 051
ddd dfg jjdfg sdt tr rt trth rthtrht r hrthr t hf fhfh fh h f hfh fhfh hf		adsradradrae fghfghfghfgh rthfghfghfgh
etzwrtzrtzrtzt		thrrhrththth hr rhhrrhrthth rhrthtrhr
sdfsfg dgdf dfgd		fsdhddghhjdgghj
cvccvcb assda		
xcxc xc xc x x cv x dfgdg fg dfg df		fhfghfh fghfgh fgh hfhf fhf gh fg hfghfg fg fghf ghfgh fhfh
dfgdfgdgdg gdf df df df		
dfdgdgdg fsdfdsfadfgdfag		
dgddfg dfg dfdfggdfdgddg		

