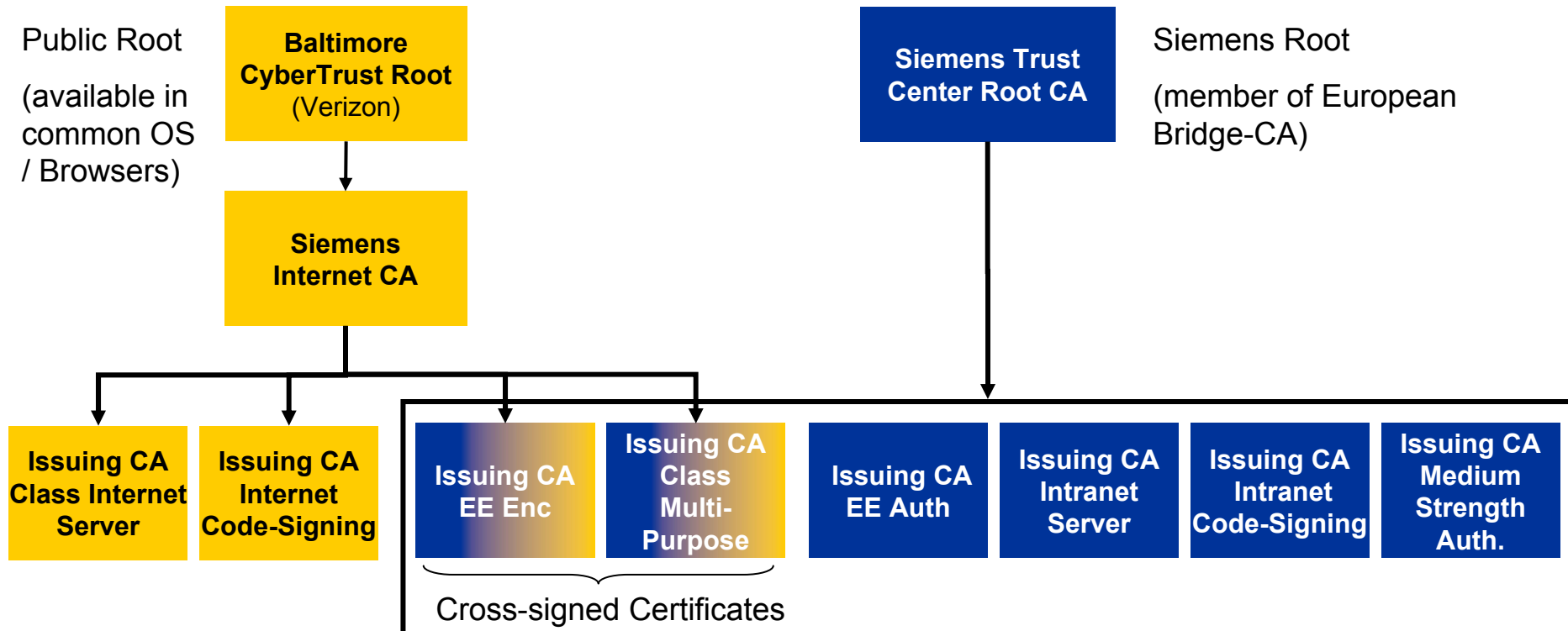


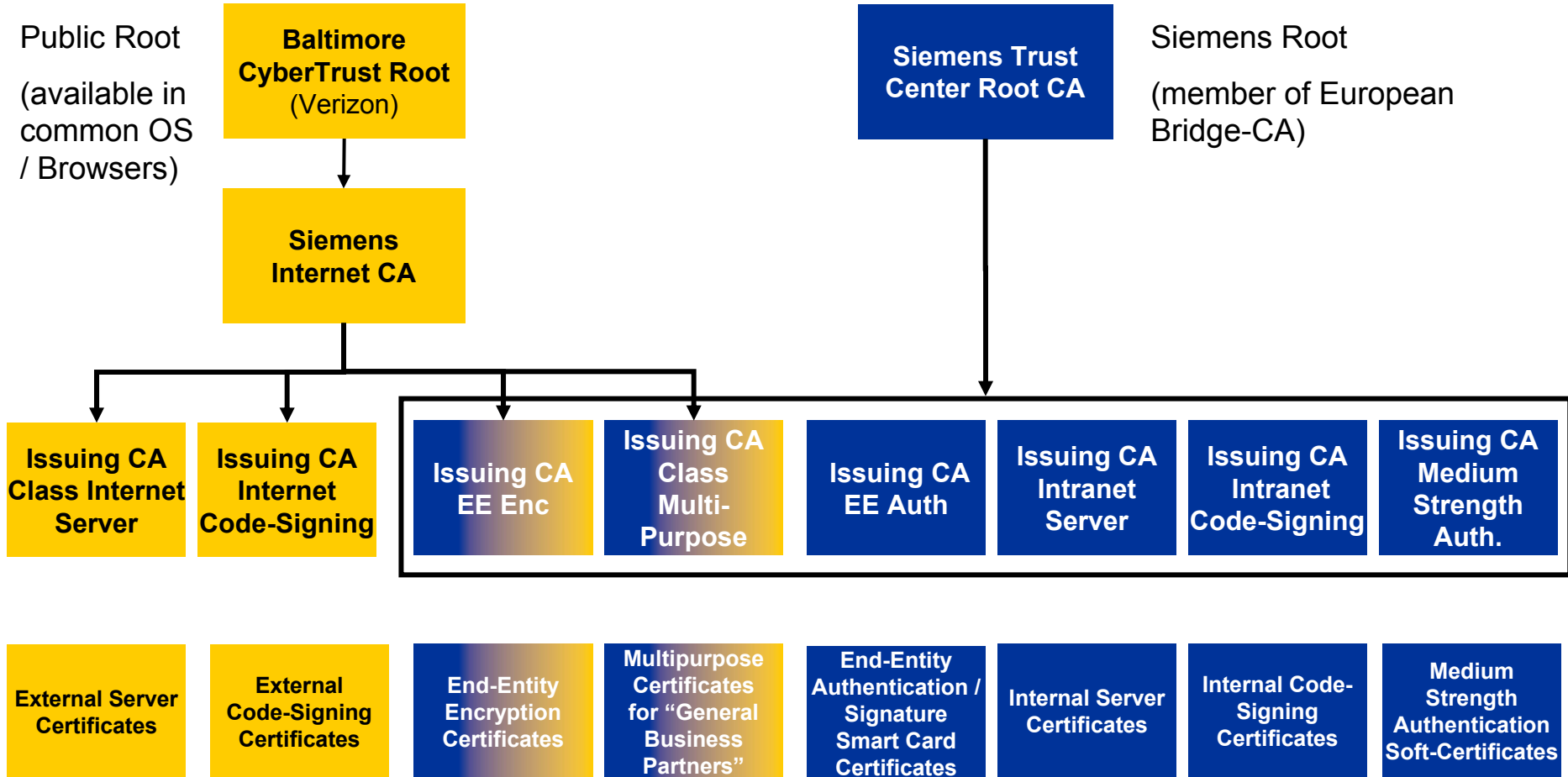
Siemens PKI – Certificate Authority (CA) Hierarchy

Status July 2011

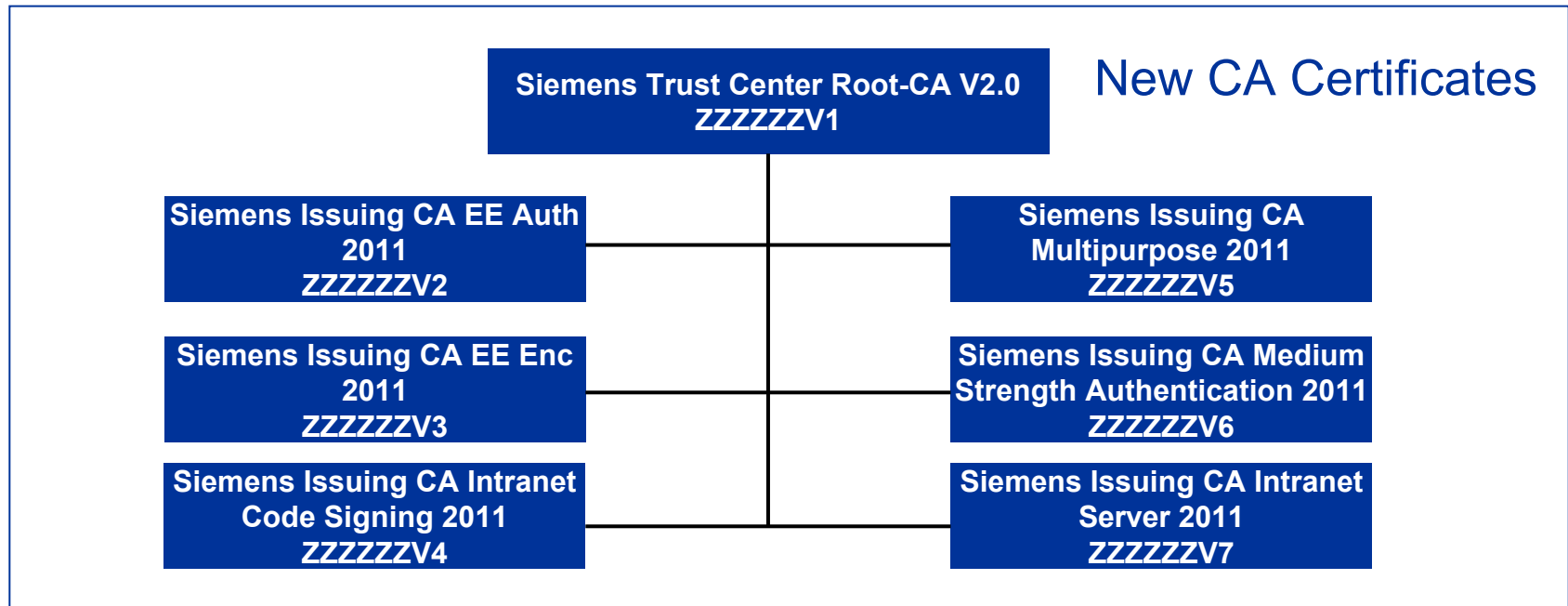
Siemens PKI CA Hierarchy – Overview (1)



Siemens PKI CA Hierarchy – Overview (2)

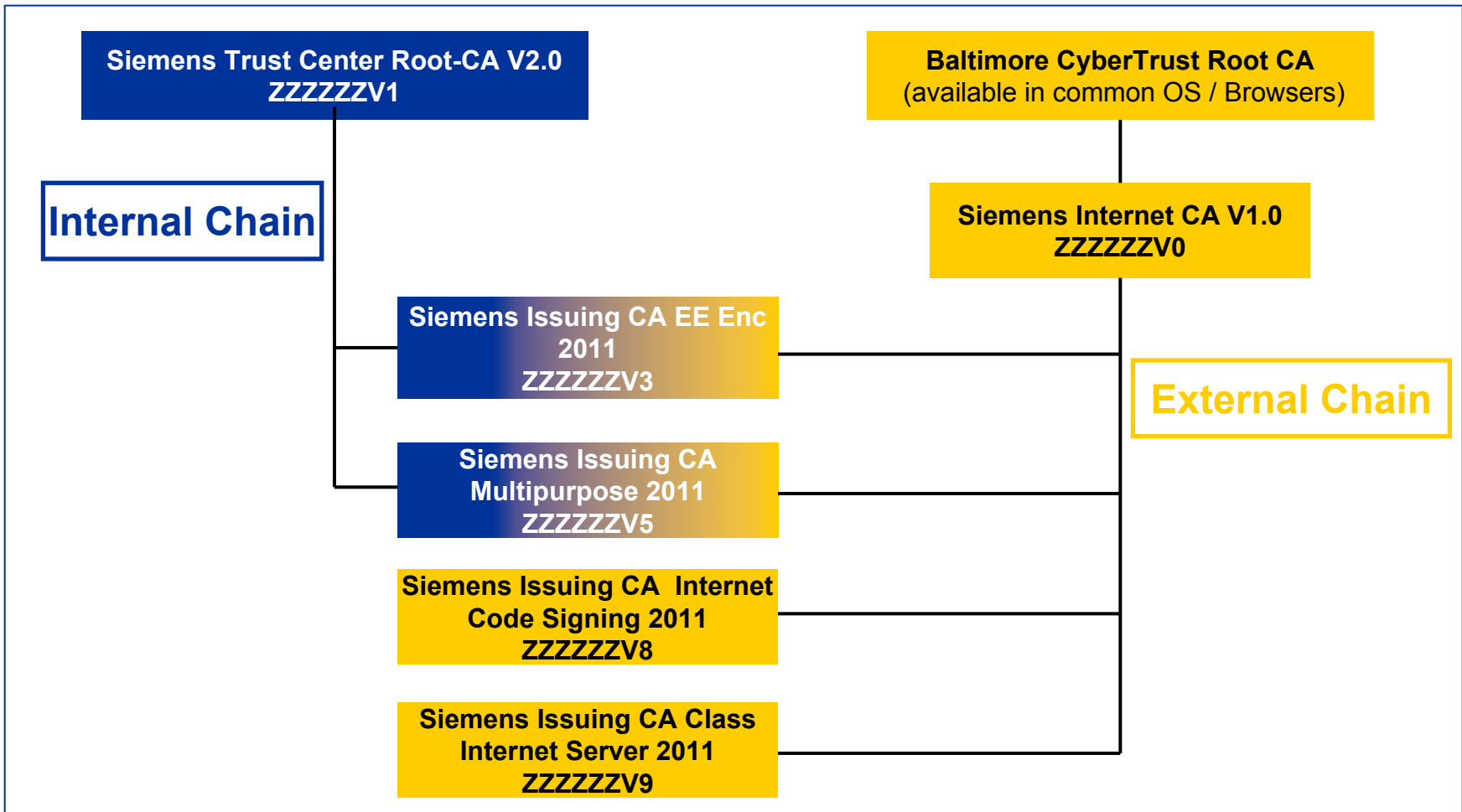


CA Hierarchy 2011 – Siemens internal CA Hierarchy

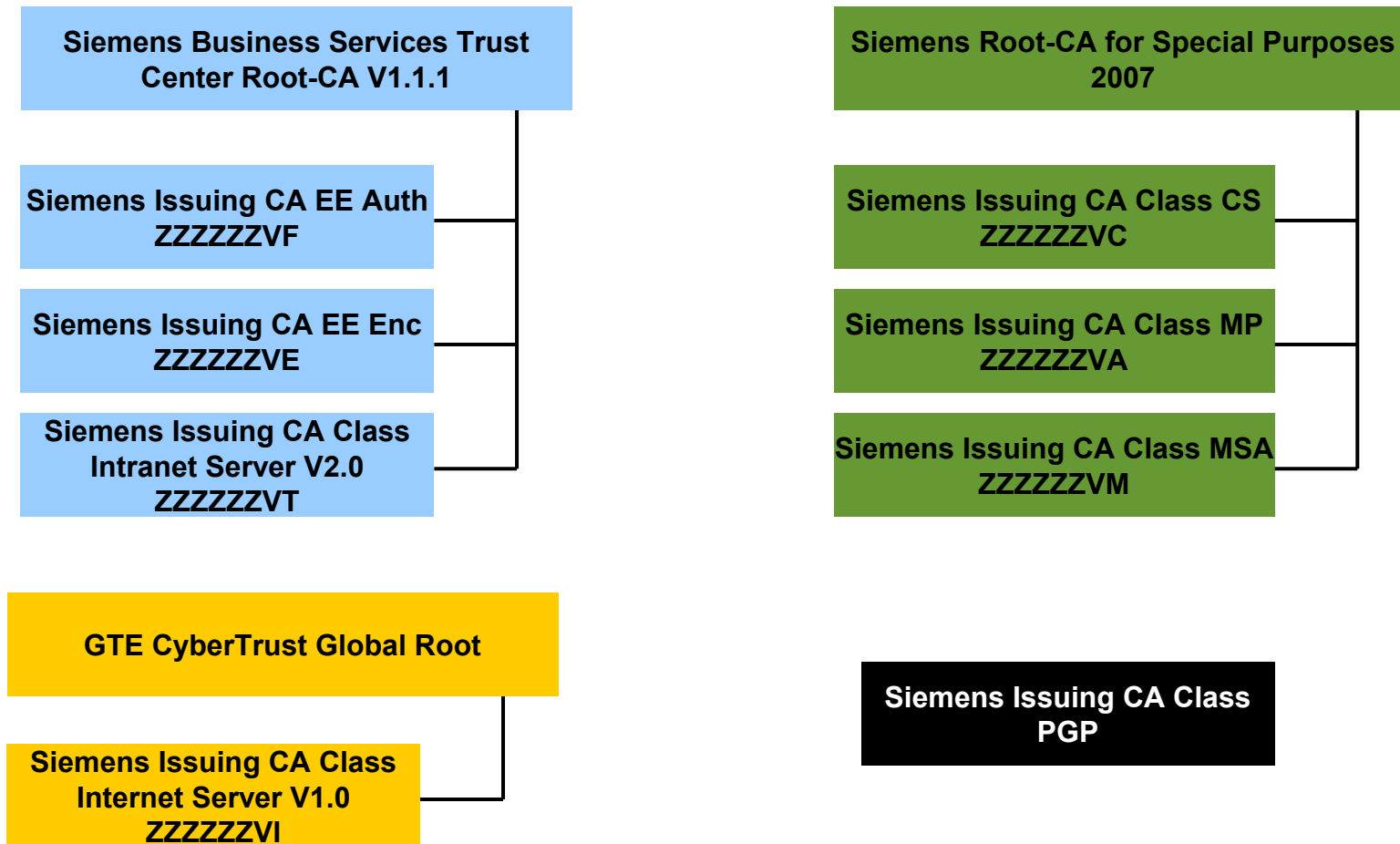


**Siemens Issuing CA Class
PGP**

CA Hierarchy 2011 – Public Root for External Recognition

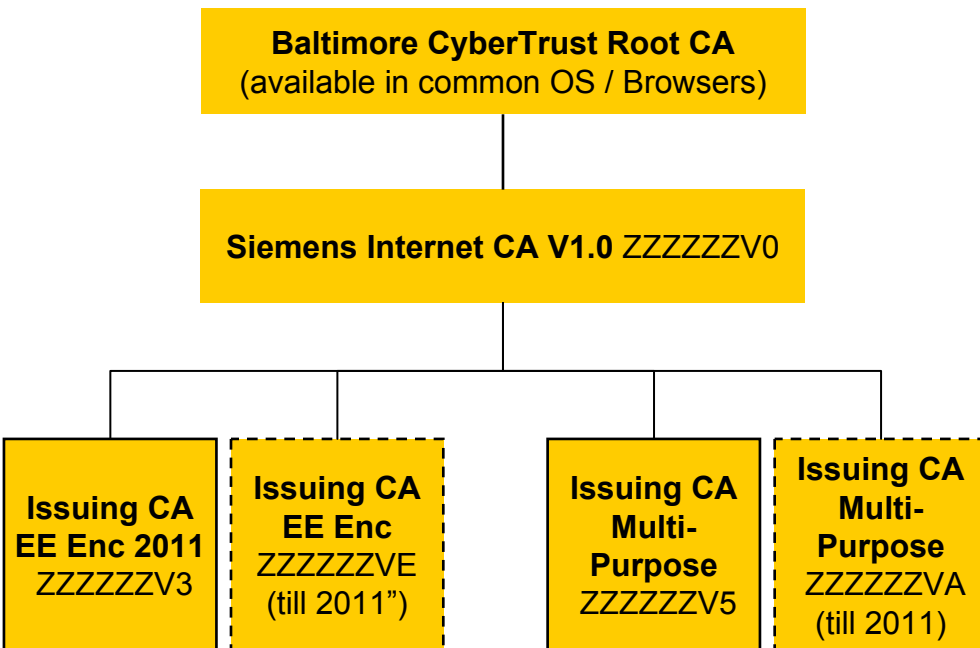


CA Hierarchy from 2003 till 2011



CA Certificates required by Business Partners for secure Communication with Siemens (e. g. S/MIME E-Mail Encryption)

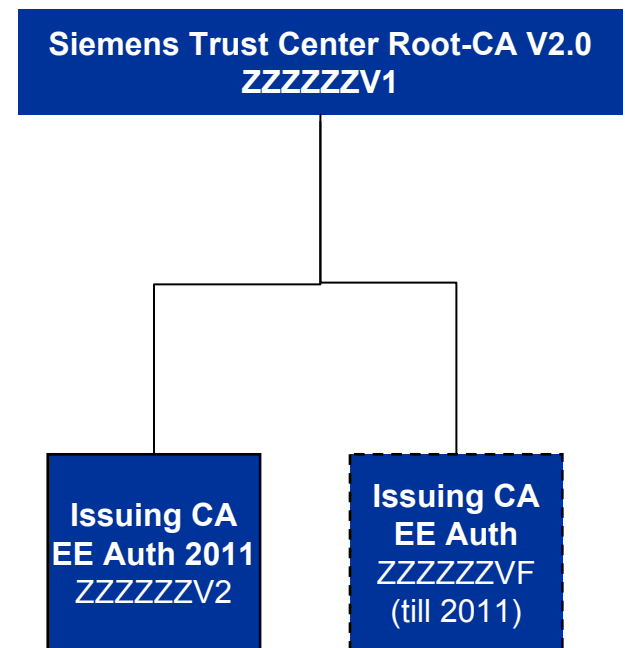
Encryption



Issuing CAs for encryption certificates for Siemens employees and contractors

Issuing CAs for multi-purpose certificates for "General Business Partner"

Authentication / Digital Signatures



Issuing CAs for authentication/signing certificates for Siemens employees and contractors (smart card only)